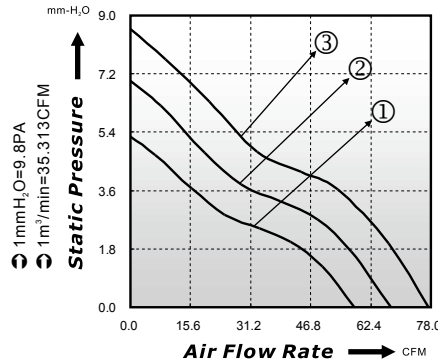


92x92x25mm

■ Model Q

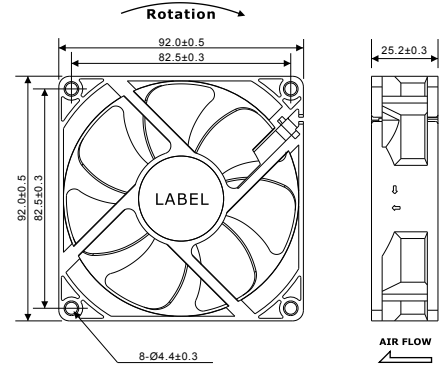


■ P-Q Curve (At Rated Voltage)



■ Dimensions Drawing

Unit: (mm)



Model No	Bearing (*)	Rated Voltage (VDC)	Rated Current (A)	Power Consumption (Watts)	Speed (rpm)	Air Flow (CFM)	Static Pressure (mmH ₂ O)	Noise (dBA)	Curve
ED09225-12L*	○ ● ⊖	12	0.27	3.24	3500	58.15	5.25	41.8	1
ED09225-12M*	○ ● ⊖	12	0.38	4.56	4000	67.73	6.97	45.6	2
ED09225-12H*	○ ● ⊖	12	0.65	7.8	4500	77.35	8.59	48.4	3
ED09225-24L*	○ ● ⊖	24	0.21	5.04	3500	58.15	5.25	41.8	1
ED09225-24M*	○ ● ⊖	24	0.23	5.52	4000	67.73	6.97	45.6	2
ED09225-24H*	○ ● ⊖	24	0.36	8.64	4500	77.35	8.59	48.4	3

* Bearing Type: ○ Sleeve ● Two Ball ⊖ Hydro-Dynamic